

Attenuators

SMA

0.85–4.0 GHz

15 Watts



Specifications

Electrical

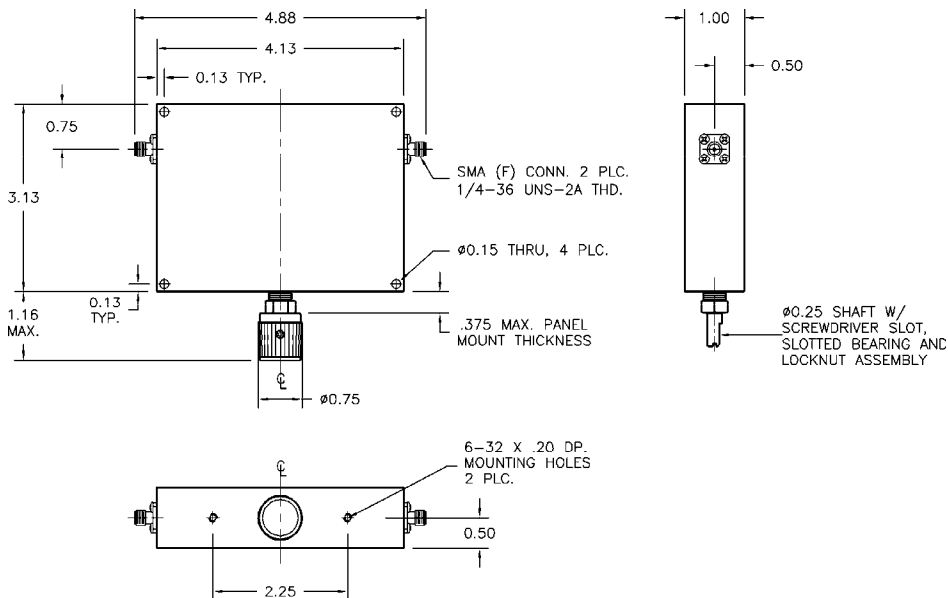
Frequency Range	0.85–4.0	GHz
Attenuation Range	40	dB
VSWR	1.5	Max.
Insertion Loss	0.5	dB MAX

Mechanical

RF Connectors	SMA
Body	6061/T – 6 ALUM.
Connectors	Stainless Steel
Finish	Unique corrosion resistant 316 stainless steel epoxy coating

Model Number

4S-40CVA-15



Notes:

Subject to change without notice
Dimensions are in inches

08 | 2006