

N Attenuators

N Male/Female

DC - 4 GHz

10 Watts



Specifications

Electrical

Frequency Range	DC-4	GHz
Attenuation Values	1-30	dB
	in any dB increment	

Attenuation Accuracy			
DC-500 MHz	± 0.25	dB	
500-2000 MHz	± 0.5	dB	
2000-4000 MHz	± 0.5	dB	

VSWR			
DC-2 GHz	1.2:1	Max.	
2-4 GHz	1.4:1	Max.	

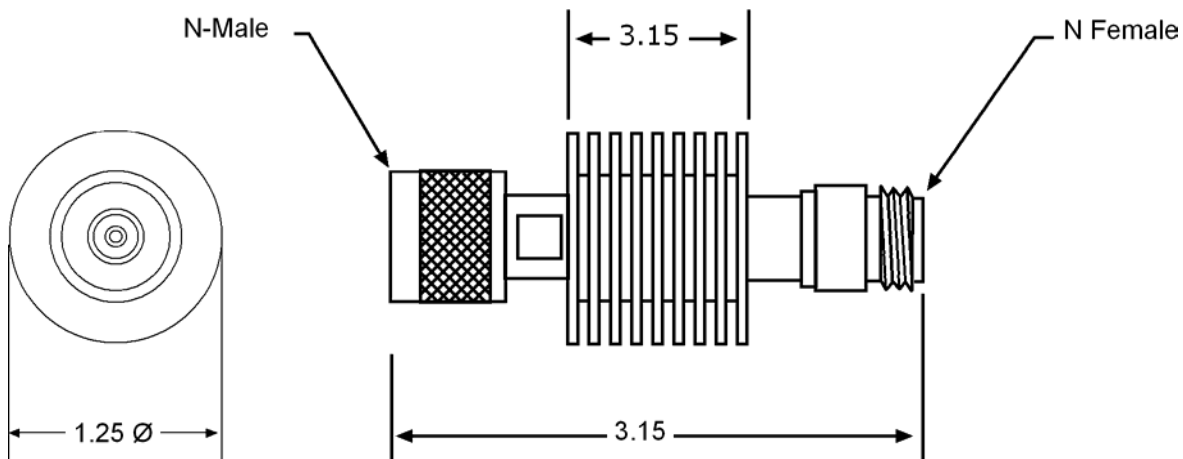
Input Power	10 Watts derate to 2	Watts @ +85°C
Peak Power	1000	Watts
Impedance	50	Ohms
Operating Temp Range	-55 to +100	°C

Mechanical

RF Connectors	N
---------------	---

Model Number

4N-XX-10



Notes:

Subject to change without notice

07 | 2004