

Attenuators

4 N - Series

DC - 4GHz
20 Watts



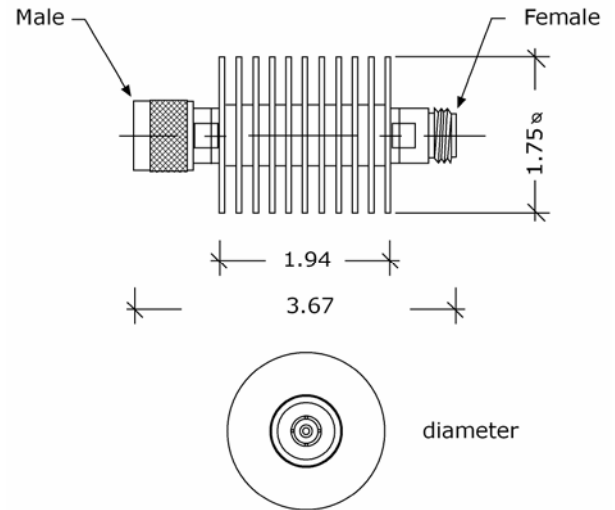
Specifications

Electrical

Frequency Range	DC-4		GHz
Attenuation Values	1-30 in any 1 dB increment		dB*
Attenuation Accuracy	DC-1.0	1.0-4.0	GHz
0-20 dB	± 0.25	± 0.50	dB
21-30 dB	± 0.50	± 0.75	dB
VSWR	DC-1000 MHz	1.15:1	Max.
	1000-4000 MHz	1.35:1	Max.
RF Input Power	20 Watts Avg		
	derate to 10 watts @ 70°C		
Peak Power	1000 Watt		
	5 µSec pulse, 0.05% duty cycle		
Impedance	50		Ohms
Operating Temp Range	-55 to 100		°C

Mechanical

RF Connector	N male / female
Size	See drawing



Model Number:

4N xx - 20
xx - insert dB value

Notes:

* other dB values available on request

Subject to change without notice

07 | 2004