

# CIRCULATOR

## K-female

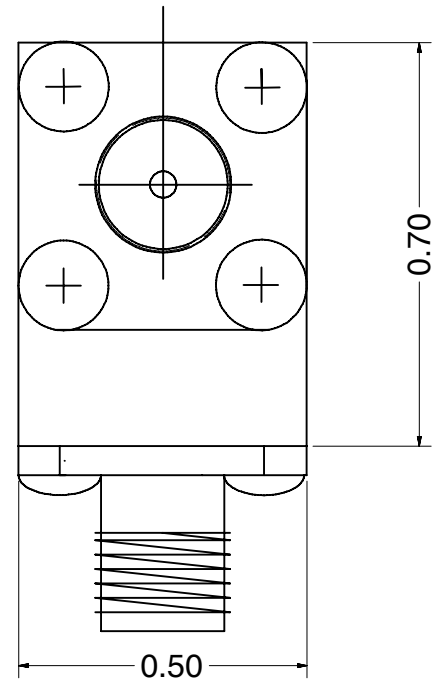
Up to 31 GHz



### Specifications

#### Electrical

Frequency Range	27 - 31	GHz
Impedance	50	Ω Ohms
Isolation (dB)	20	min.
Insertion Loss (dB)	0.60	max.
VSWR	1.30	max.
<b>Power</b>		
Avg (All ports)	5	W
Peak	30	W

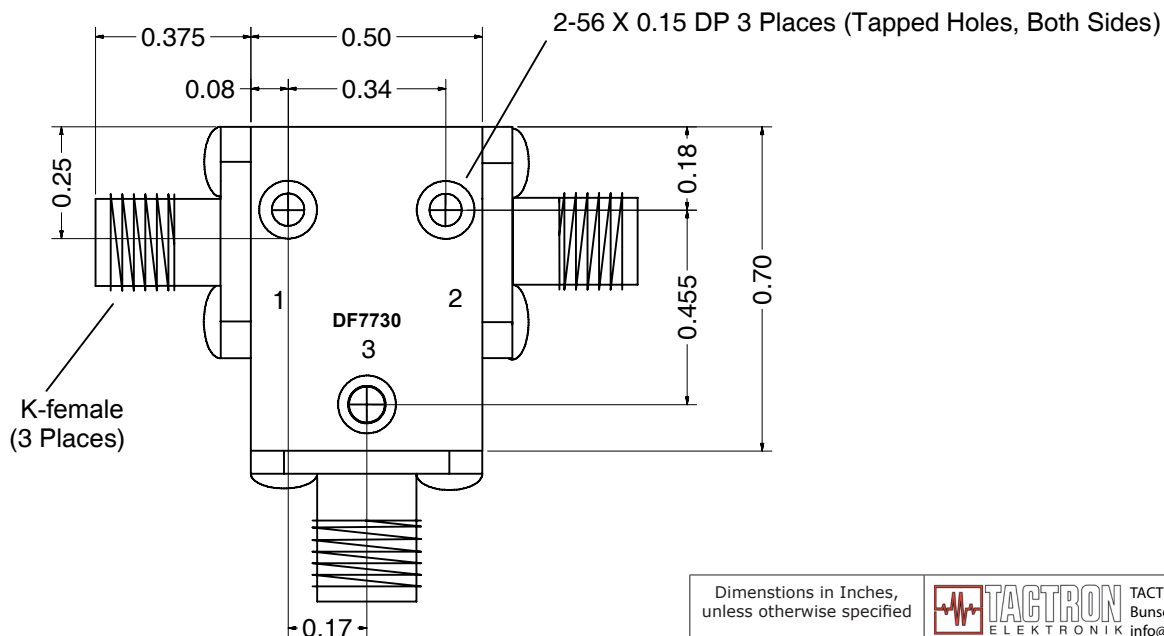


#### Mechanical

Connectors	K-female, Stainless Steel, Passivate
Contact Pins	Beryllium Copper, Gold Plated
Operating Temp.	-20°C to +65°C
Weight (approx.)	0.9 ounces

#### Model Number

DF7730



Dimenstions in Inches, unless otherwise specified		TACTRON Elektronik Schmidt-Fürst oHG Bunsenstraße 5/II D-82152 Planegg info@tactron.de www.tactron.de	
TOLERANCE xx±0.03 xxx±0.010		TITLE 27.0-31.0 GHz K-female Circulator	
SCALE 6:1		MODEL DF7730	REV

#### Notes:

Subject to change without notice